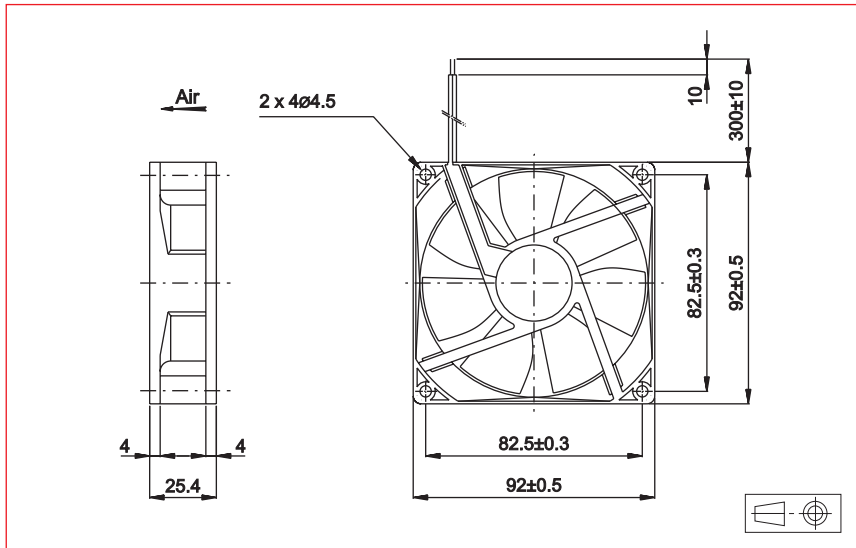


3,622" x 3,622" x 0,984" 92 x 92 x 25 mm

Series
299D
H, S, X
speeds

ETRI[®]
DC Axial Fans



Approvals



Life expectancy

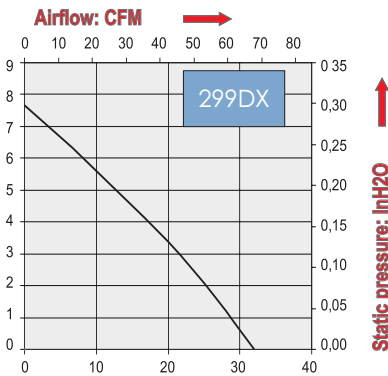
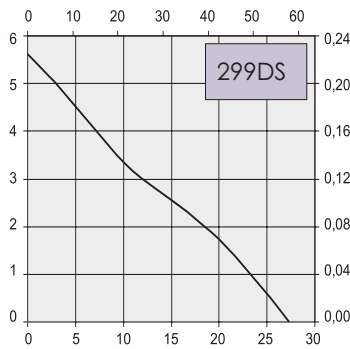
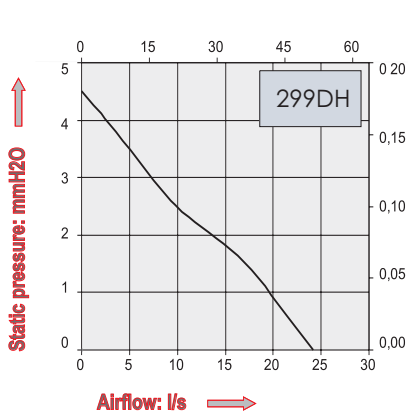
L-10 LIFE AT 40°C:
80 000 hours

Brushless DC Motor

Electrical protection: impedance protected
Housing and impeller material: plastic UL 94 VO
Weight: 99 g
Bearing system: ball bearings

Available with:

- Variable speed
- Speed sensor
- Alarm
- IP54 / IP55



| Part Number | Nominal voltage | Airflow | Noise level | Nominal speed | Input Power | Voltage range | Connection type | | Operating temperature | |
|---------------|-----------------|---------|-------------|---------------|-------------|---------------|-----------------|-----------|-----------------------|--------|
| | V | l/s | dB(A) | RPM | W | V | Leads | Terminals | Min.°C | Max.°C |
| 299DH1LP11000 | 12 | 24,2 | 34 | 2850 | 1,9 | (7-13,8) | X | | -10 | 70 |
| 299DH2LP11000 | 24 | 24,2 | 34 | 2850 | 2,4 | (14-27,6) | X | | -10 | 70 |
| 299DH4LP11000 | 48 | 24,2 | 34 | 2850 | 2,9 | (38-56) | X | | -10 | 70 |
| 299DS1LP11000 | 12 | 27,3 | 38 | 3200 | 3,0 | (7-13,8) | X | | -10 | 70 |
| 299DS2LP11000 | 24 | 27,3 | 38 | 3200 | 3,1 | (14-27,6) | X | | -10 | 70 |
| 299DS4LP11000 | 48 | 27,3 | 38 | 3200 | 3,8 | (38-56) | X | | -10 | 70 |
| 299DX1LP11000 | 12 | 32,0 | 45 | 3800 | 4,8 | (7-13,8) | X | | -10 | 70 |
| 299DX2LP11000 | 24 | 32,0 | 45 | 3800 | 5,3 | (14-27,6) | X | | -10 | 70 |

Additional versions:

Lower speeds (see page 21)

Accessories:

Refer to Accessories leaflet